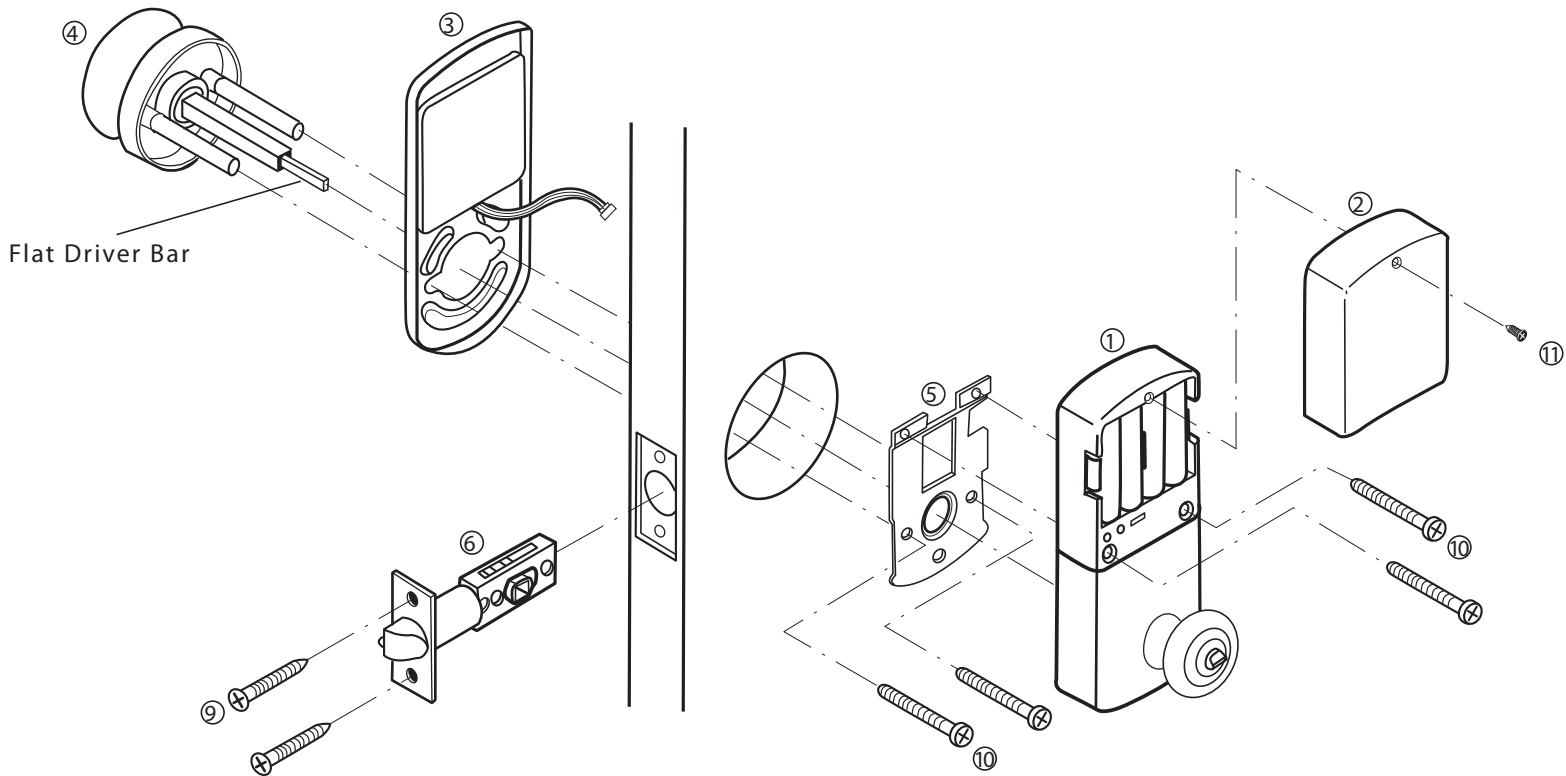


Install Instruction

Model No. PAKK-01

- (1) MAKE SURE THIS LOCK UNIT FITS THE DOOR ON WHICH IT IS TO BE INSTALLED.
- (2) FOR REPLACING AN EXSITING LOCK FOLLOW THE DIAGRAM BELOW.



1. REMOVE ALL COMPONENTS OF OLD LOCK FROM THE DOOR.
2. FOLLOW PROCEDURE 6 AND 7 TO INSTALL BACKSET.
3. INSTALL PARTS, (4), (3), (5) THEN CONNECT THE WIRING.
4. INSTALL PART (1) LAST.
5. MAKE SURE THE FLAT DRIVER BAR AND THE THUMB TURN FIT CORRECTLY BEFORE TIGHTEN THE MOUNTING SCREW (10).
6. TURN THE HANDLE TO MAKE SURE THE LATCH FUNCTIONS CORRECTLY.